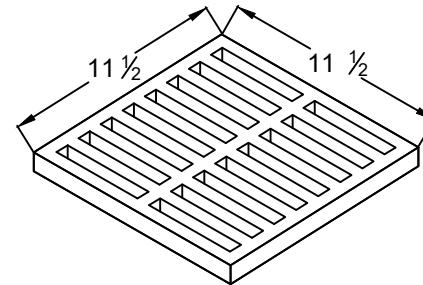
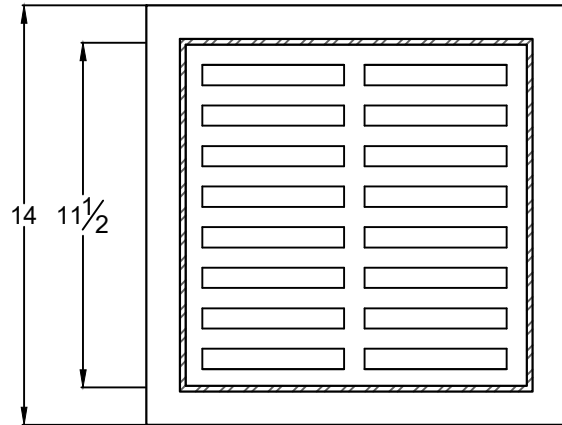


ConcreteCatchBasins.com

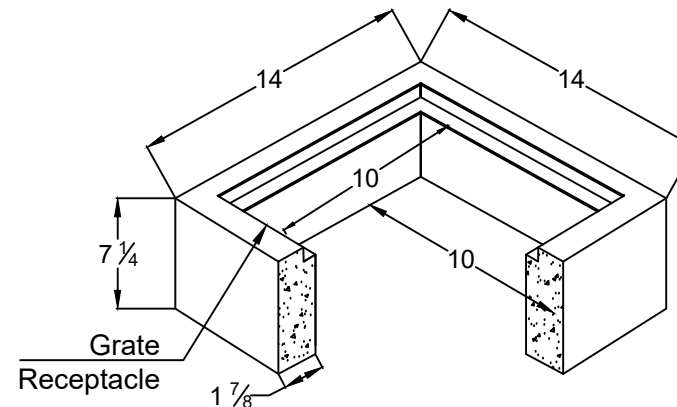
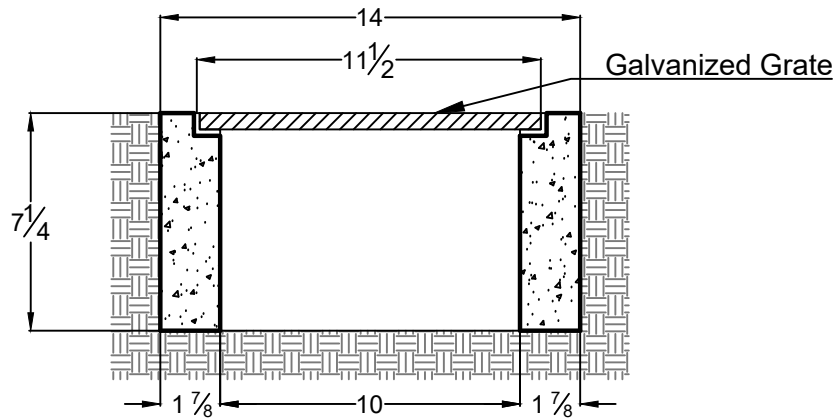
866-460-0454

Model: CCBEXT

12" x 12" x 7 1/4" Concrete Catch Basin Extension



Galvanized Grate
Weight - 7 Lbs.



Riser Extension
Weight - 42 Lbs.
Fit the 11.5" 11.5"
Galvanized Grate

SPECIFICATIONS:

1.- Concrete has a design strength of 3000 PSI at 28 days.